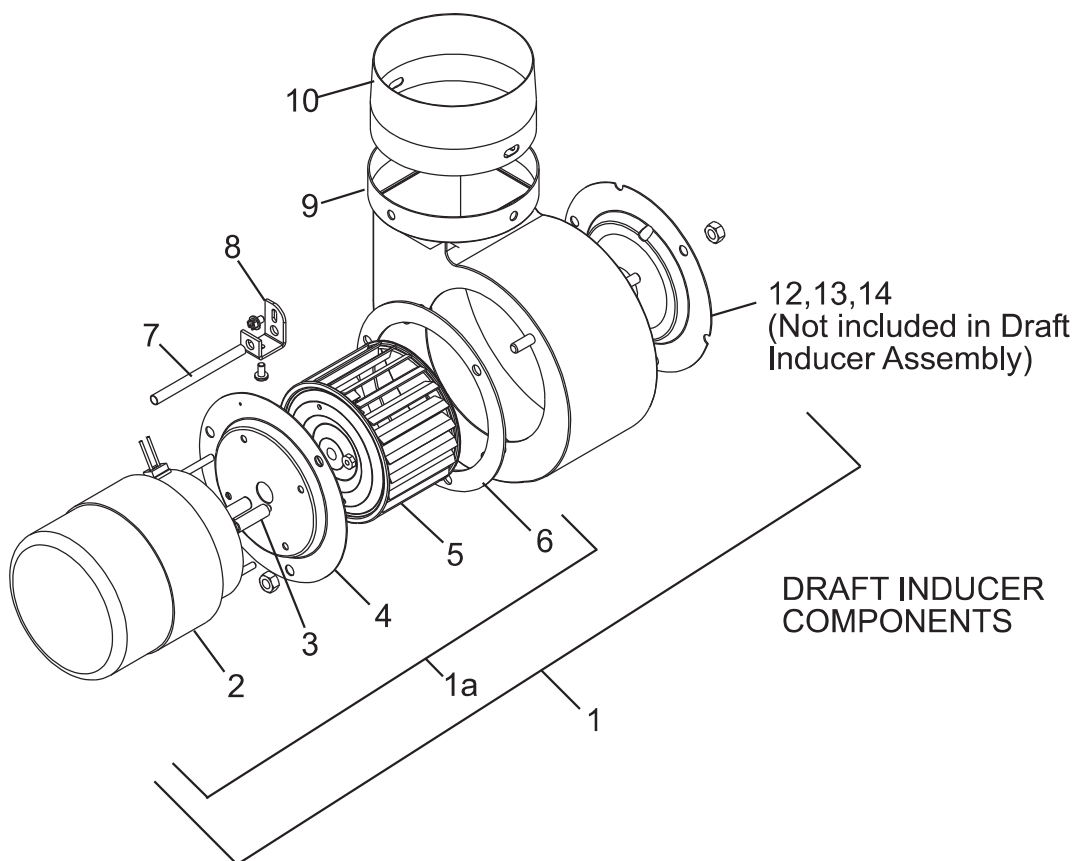


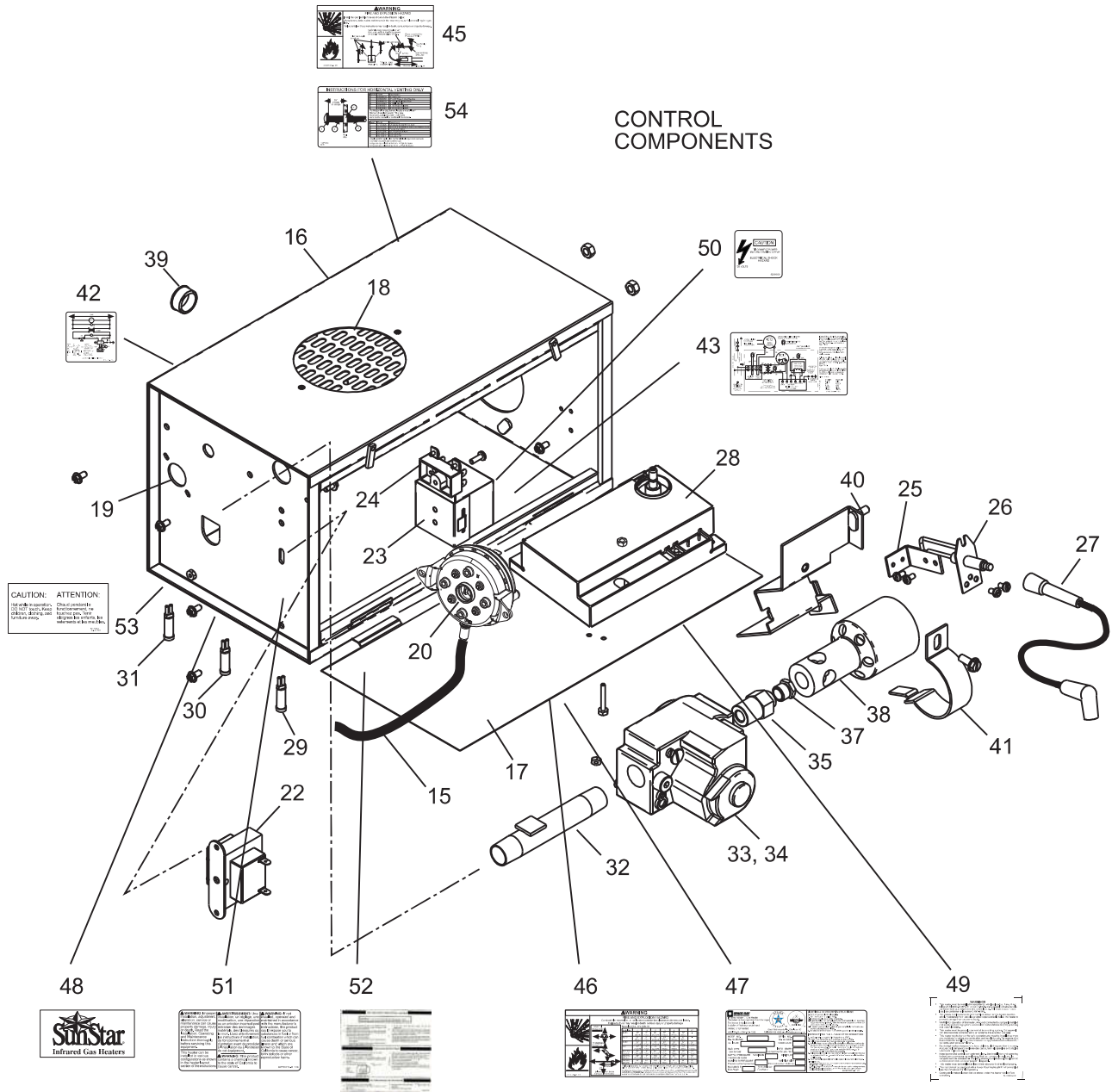
## 23.0) REPLACEMENT PARTS GUIDE

DRAFT INDUCER COMPONENTS			
Item No.	Part No.	Description	Qty.
1	42737000	Draft Inducer Assembly	1
1a	42928000	Motor Replacement Kit	1
2	03721000	Motor	1
3	30347000	Motor Spacer (4 per motor)	4
4	42740000	Motor Plate	1
5	03723000	Blower Wheel	1
6	43221000	Draft Inducer Gasket	1
7	42744000	Sensing Tube, Draft Inducer	1
8	42742000	Sensing Tube Bracket	1
9	42739000	Blower Housing Sub-Assembly	1
10	40504020	4" O.D. Flue Pipe Starting Collar	1
12	42741120	Restrictor Plate, 7/8" I.D. (SIR25)	1
13	42741041	Restrictor Plate, 1" I.D. (SIR35)	1
14	42741031	Restrictor Plate, 1-1/8" I.D. (SIR45)	1

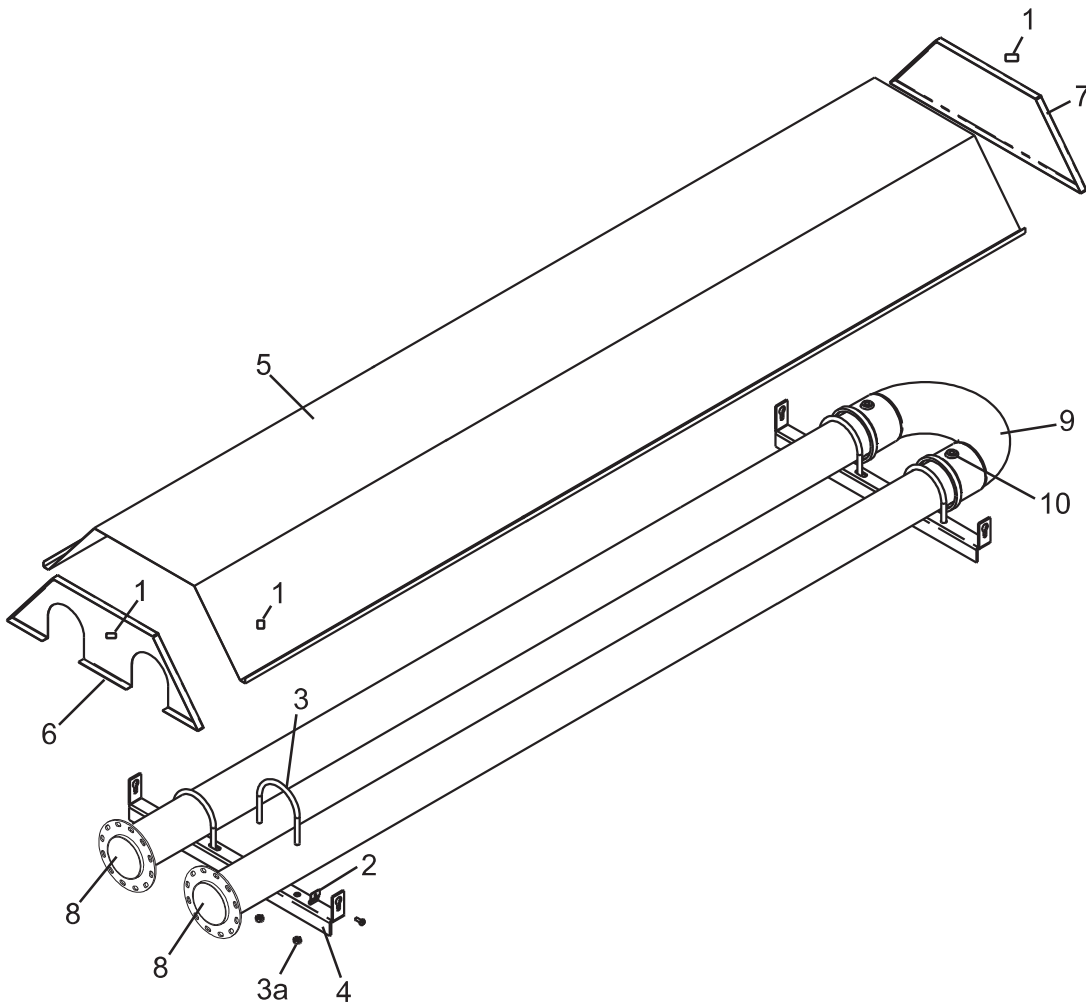


<b>CONTROL COMPONENTS</b>			
<b>Item No.</b>	<b>Part No.</b>	<b>Description</b>	<b>Qty.</b>
15	03988150	Plastic Vacuum Air Tube, 15" long	1
16	42750000	Cabinet Assembly	1
17	42751000	Access Panel	1
18	42752000	Air Inlet Plate (Perforated)	1
19	42447000	Sight Glass	1
20	42837040	Air Switch Kit, set @ 0.11" W.C., #NS2-0307-00	1
22	30279980	Transformer, AT120B1051	1
23	42709000	Terminal Block Shield	1
24	30281000	Terminal Block, EK-204	1
25	42759000	Electrode Bracket	1
26	30295000	Electrode PSE-GF1 (Igniter/Sensor)	1
27	30314070	Ignition Cable, 7" long	1
28	44010010	Kit, Spark Module - Fenwal #35-608711-034	1
29	42398040	Monitoring Light, Green	1
30	42398060	Monitoring Light, Red	1
31	42398050	Monitoring Light, Amber	1
32	42757000	Restrainer Nipple, 5" long	1
33	44010250	Kit, Gas Valve - WR #36J23-203B1 Single Stage (natural gas)	1
34	44010260	Kit, Gas Valve - WR #36J23-204B1 Single Stage (propane gas)	1
35	42701000	Orifice Fitting - 1/2" NPT x 7/16-27	1
37	03259XXX	Orifice ( <b>State Model &amp; Gas Type for Size</b> )	1
38	42700000	Main Burner	1
39	30148000	Universal Bushing, 7/8"	1
40	42755000	Burner Bracket Sub-Assembly	1
41	42753000	Burner Clamp	1

<b>Labels / Manual</b>			
<b>Item No.</b>	<b>Part No.</b>	<b>Description</b>	<b>Qty.</b>
42	42785000	Label, Ladder Wire Diagram	1
43	42706000	Label, Connection Wire Diagram	1
44	43471010	Installation and Operation Instructions (not shown)	1
45	43344050	Label, Gas Connector Warning	1
46	43470010	Label, Clearance to Combustibles	1
47	42848040	Label, Nameplate	1
48	42013010	Label, "SunStar" Logo	1
49	43470030	Label, Warning (residential)	1
50	42834000	Label, 120V Caution	1
51	42875000	Label, Warning	1
52	43470040	Label, Operating Instructions	1
53	43470050	Label, Caution/Attention	1
54	43470060	Label, Horizontal Venting	1



BODY COMPONENTS		
Item No.	Part No.	Description
1	02266010	Reflector Speed Clip
2	42769011	Reflector Clamp with screw (4 per heater)
3	42770000	"U" Bolt Clamp, 3" OD Tube (6 per heater)
3a	02127110	"U" Bolt Hex Nut, 5/16-18 (2 per "U" Bolt)
4	42773000	Tube Support/Hanger Bracket, 18-1/2" (2 per heater)
5	42763080	Reflector, 8' long (1 per heater)
6	42762010	Reflector, control end
7	42761010	Reflector, foot end
8	44028132	7-1/2' Tube Replacement Kit, 3" OD, ALC w/one 12 radial hole flange
9	42764000	U Bend, 3" OD x 3-3/4" centerline radius
10	02251040	Set Screw, 5/16-24 x 1/2" (2 per heater)



**Note:**

- 1) Screws, Nuts and Washers are standard hardware items and can be purchased at any local hardware store.
- 2) Please order by PART NUMBER – not by Item Number.
- 3) Replacement Part Prices are available when ordering.
- 4) Please refer to complete Model Number when ordering.

ALL ILLUSTRATIONS ARE INTENDED TO GIVE THE GENERAL IMPRESSION OF UNITS ONLY. WE RESERVE THE RIGHT TO ALTER ANY SPECIFICATION WITHOUT NOTICE.