

25.0) REPLACEMENT PARTS GUIDE

BURNER BOX			
Item No.	Part No.	Description	Qty.
		Fasteners	
1	02295040	PHTCS #6-32 x 3/8"	3
1a	02266010	Speed Clips (for air inlet plate)	2
2	02261030	HHTCS #8-32 x 3/8" (green coated)	1
3	02242050	PHTCS #8-32 x 3/8"	7
3b	02242070	PHTCS #8-32 x 1/2"	2
4	02123170	RHMS #8-32 x 3/4"	2
5	02167010	Locknut 1/4-20 Keps	8
5a	02309000	Eyebolt 1/4-20 x 2"	1
6	02167040	Locknut #8-32 Keps	7
7	02212020	HWSMS #8 x 1/2" "B" Point (typical all access panels)	45
8	02132020	Rivet 1/8"	32

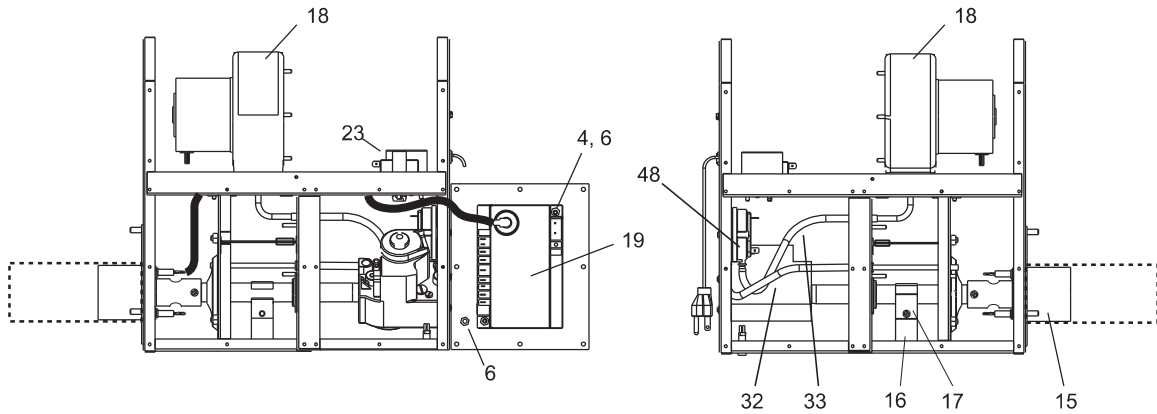
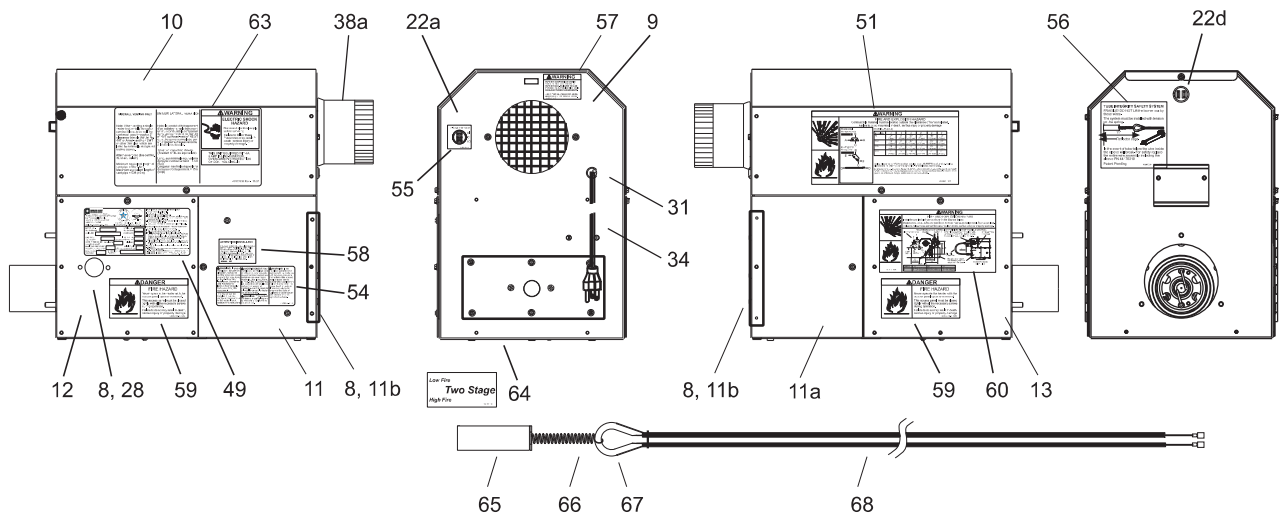
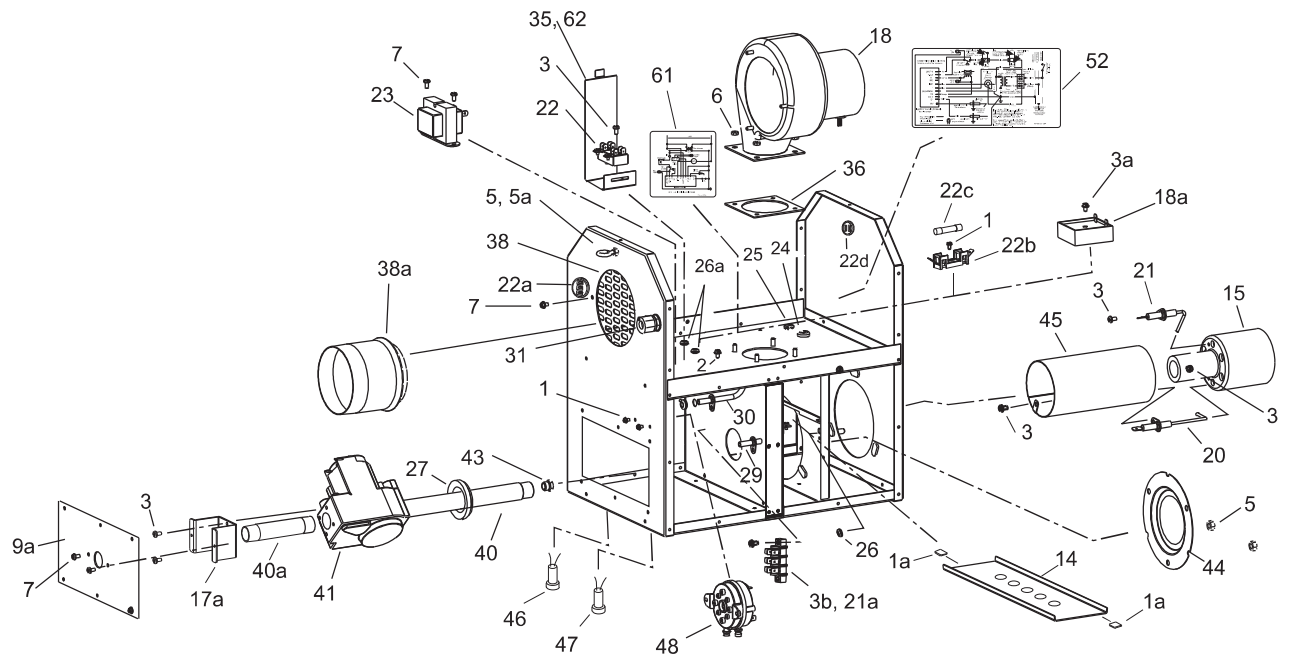
Housing Components			
9	44139050	Housing Assembly (painted)	1
9a	44140119	Valve Holder Plate (painted)	1
10	44140009	Access Panel - Top (painted)	1
11	44140040	Access Panel - Hinged (with module holes)	1
11a	44140041	Access Panel - Hinged	1
11b	02201080	Hinge 1-1/2" x 6"	2
12	44140057	Access Panel - LH burner end - with sight glass (painted)	1
13	44140099	Access Panel - RH burner end (painted)	1
14	4414006x	Combustion Air Plate (see size requirements in Section 5.0)	1

Burner Components			
15	42700500	Burner, Investment Casting - Machined	1
16	44146090	Manifold Support Bracket (painted)	1
17	44146060	Manifold Support Clamp	1
17a	44146058	Manifold Extension Bracket (with set screw)	1
18	30703000	Blower Assembly	1
19	30632510	Spark Module - Fenwal-24V #35-615950-197	1
20	30702010	Flame Sensor #PSE-GF24	1
21	30702020	Electrode #PSE-GF25	1
21a	30743000	Terminal Block #EL-3008	1
22	30281000	Terminal Block #EK-204	1
22a	30738030	Terminal Bushing (3 x 1/4" tabs)	1
22b	30713000	Fuse Holder	1
22c	30202000	Fuse 1/4 x 1-1/4" (2 amp)	1
22d	30738020	Terminal Bushing (2 x 1/4" tabs)	1
23	30279000	Transformer 120v-24V 20VA	1
24	02175020	Strain Relief #SR-6P3-4 (ignition cable)	1
25	02175060	Strain Relief #SR-2M-1 (flame sensor wire)	1
26	30514020	Grommet .250ID #739 (air sensing tube)	1
26a	30512020	Split Bushing #2871 (misc. wiring, ignition cable, sensor wire)	2
27	30700040	Grommet, Pipe Sealing 1/2" #63595K34	1
28	30623010	Sight Glass #1295	1
29	42744079	Air Sensing Tube Asm. (straight) 1/4"od	1
30	42744069	Air Sensing Tube Asm. (90 deg bend) 1/4"	1
31	30635050	Cord Connector 1/2" #M4521 (Gray)	1
31a	30635049	Nut 1/2" #8463 (Black)	1
32	03988100	Plastic Vacuum Air Tube 10" (P2- to static pressure point)	1
33	03988100	Plastic Vacuum Air Tube 10" (P1+ to total pressure point)	1

34	43563040	Supply Cord Set (SVT-1 18/3 x 72" long) – includes connector & nut	1
35	42709000	Shield, Terminal Block	1
36	42395010	Gasket, Blower	1
37	03946010	Sealing Strip 1/8" x 3/8" wide (access panels) -not shown-	Ft.
38	42752250	Air Inlet Screen	1
38a	30504040	Starting Collar (combustion air inlet)	1
39	30701240	Ignition Cable - Female (2) 1/4" QC x 24"lg #PSE-GF23 -not shown-	1
40	44145060	Manifold Pipe – 6-1/4"lg	1
40a	03333140	Pipe Nipple – 4"lg	1
41a	44010370	Kit, Gas Valve – WR #36J23-203B1 Single Stage (natural gas)	1
41b	44010380	Kit, Gas Valve – WR #36J23-204B1 Single Stage (propane gas)	1
41c	44010390	Kit, Gas Valve – WR #36J58-201B1 Two Stage (natural gas)	1
41d	44010400	Kit, Gas Valve – WR #36J58-202B1 Two Stage (propane gas)	1
43	03259xxx	Main Burner Orifice #7/16-27 (see size requirements in Section5.0)	1
44	42741150	Air Restrictor Plate 2-3/4" (earlier models only)	1
45	44151010	Burner Screen Sub-Assembly (200 BTU units only)	1
46	42398030	Monitoring Light – Amber (gas valve operation) – 2 each for Two Stage	1
47	42398150	Monitoring Light – Red (air switch operation)	1
48	30186250	Air Switch (set point @ .93"WC, RED LABEL) SPS/SPU40 & 50	1
48a	30186260	Air Switch (set point @ .65"WC, BLUE LABEL) SPS/SPU75 & 100	1
48b	30186270	Air Switch (set point @ .34"WC, GREEN LABEL) SPS/SPU125,150,175 & 200	1

		Labels/Manual	
49	42848010	Label, Nameplate – Single Stage	1
49a	42848120	Label, Nameplate – Two Stage	1
50	42013010	Label, Logo (SunStar) (Not Shown)	1
51	43344060	Label, Clearances to Combustibles	1
52	42874020	Label, Wire Connection Diagram – Single Stage	1
52a	42874030	Label, Wire Connection Diagram – Two Stage	1
54	42875000	Label, Warning (installation/configuration/chemical)	1
55	43269010	Label, 24V Thermostat Connection – Single Stage	1
55a	43269060	Label, 24V Thermostat Connection – Two Stage	1
56	43269020	Label, TISS Connection	1
57	43269030	Label, Eyebolt Suspension Warning	1
58	43269040	Label, Gas Valve in "OFF" Position	1
59	43269050	Label, Burner Warning (access panel must remain closed)	2
60	43344110	Label, Flex Gas Connector	1
61	42785020	Label, Ladder Wiring Connection – Single Stage	1
61a	42785010	Label, Ladder Wiring Connection – Two Stage	1
62	42834000	Label, 120V Caution	1
63	42922030	Label, Sidewall Venting	1
64	43269070	Label, Low/High Fire – Two Stage	1
64a	43343320	Installation & Operation Manual (Not Shown)	1

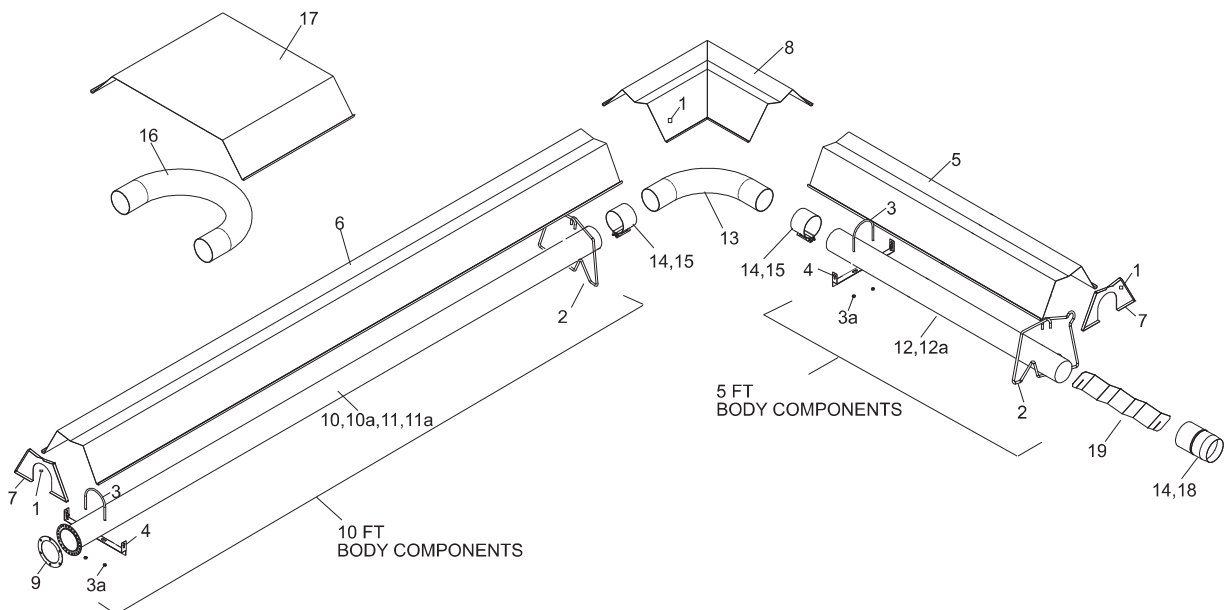
		Tube Integrity Safety Switch (TISS) Components	
65	44175000	Retainer clamp	1
66	30519020	Spring	1
67	30736000	Thimble	1
68	44176510	TISS replacement assembly (does not include retainer clamp or spring)	1



BODY COMPONENTS			
Item No.	Part No.	Description	
1	02266010	Reflector Speed Clip	
2	43980010	Wire Hanger	
3	42873000	"U" Bolt Clamp, 4" OD Tube	
3a	02127110	5/16-18 Hex Nut (2 per "U" Bolt)	
4	43318000	Tube Support/Hanger Bracket, 13"	
5	43319050	Reflector, 4'-11½" long (5' section only; 1 per 5 ft. body section)	
6	43319100	Reflector, 9'-11½" long (10' section only; 1 per 10 ft. body section)	
7	43320000	End Reflector (optional)	
8	43342000	Corner Reflector Package (optional)	
9	42921000	Tube Flange Gasket	
10*	44028170	10' Tube Assembly Kit, 4" OD, ATC steel with one 6-hole flange (start tube)	
10a**	44028030	10' Tube Assembly Kit, 4" OD, ALC steel with one 12-radial hole flange (start tube)	
11	44028100	10' Tube Assembly Kit, 4" OD, HRS steel without flanges (extension tube & exhaust tube)	
11a	44028060	10' Tube Assembly Kit, 4" OD, ALC steel without flanges (extension tube & exhaust tube)	
12	44028120	5' Tube Assembly Kit, 4" OD, HRS steel without flanges (extension tube & exhaust tube)	
12a	44028010	5' Tube Assembly Kit, 4" OD, ALC steel without flanges (extension tube & exhaust tube)	
13	43208010	4" O.D. Elbow Package	
14	02189020	#10 x ½" Self-Drilling Screw	
15	30462980	4" OD Tube Compression Coupling w/bolts	
16	43208020	4" OD U-Bend (Required for SPU Only)	
17	43488000	U-Bend Reflector (SPU Option)	ALC = Heat Treated, Aluminized Steel HRS = Hot Rolled Steel ATC = Heat Treated, Alumi-Therm Steel
18	30504500	Flue Adapter Collar	
19	44152240	Turbulator (See Section 5.0) for quantities)	

* Required on 40ft, 50ft, 60ft and 70ft systems for mounting of burner box.

** Required on 10ft, 20ft and 30ft systems for mounting of burner box.



Note:

- 1) Screws, Nuts and Washers are standard hardware items and can be purchased at any local hardware store.
- 2) Please order by PART NUMBER - not by Item Number.
- 3) Replacement Part Prices are available when ordering.
- 4) Please refer to complete Model Number when ordering.

ALL ILLUSTRATIONS ARE INTENDED TO GIVE THE GENERAL IMPRESSION OF UNITS ONLY. OTHER COMBINATIONS OF 5 FT. AND 10 FT. SECTIONS, AND ONES WITH OR WITHOUT THE ELBOW PACKAGE ARE POSSIBLE. PLEASE CONSULT WITH YOUR SUNSTAR SALES REPRESENTATIVE. WE RESERVE THE RIGHT TO ALTER ANY SPECIFICATION WITHOUT NOTICE.