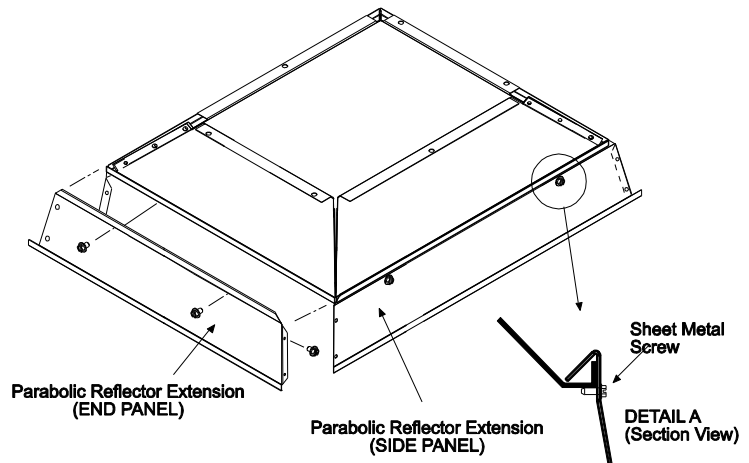


16) OPTIONAL PARABOLIC REFLECTOR EXTENSION ASSEMBLY

The heater is completely factory assembled and requires no field assembly. If the optional parabolic reflector extension is utilized, locate and identify the end panels and side panels as shown in the following diagram. Attach the side panels as shown. Attach the end panels so that the end flanges of the end panels overlap the side panels. Attach the side panels and end panels together with the screws provided in the kit. Attach the remaining screws as shown in Detail A. This is to ensure that the Parabolic Reflector Extension is securely attached to the reflector. The clearances to combustibles (shown on the clearance label that is secured to the reflector on the control end of the heater and in Section 4 of these instructions) must be closely observed. *Please order the Parabolic Reflector Extension Kit using the Part Numbers below:*



Model No.	Parabolic Reflector Extension Kit Number
SG3, SG4	#43822010
SG6, SG8	#43822020
SG10, SG12	#43822030
SG13, SG14, SG15	#43822040

17) OPTIONAL PROTECTIVE REVERB SCREEN

The optional protective Reverb Screen acts as a safety net in the unlikely event that the ceramic tile assembly is broken by an outside force. In addition, it increases the overall emissivity of the radiating surface with a blackbody radiation effect. It is recommended in high-traffic areas as well as where improved radiant output is desired. *Please order the Protective Reverb Screen using the Part Numbers listed to the right:*

Model No.	Reverb Screen Kit Number
SG3, SG4	#43876010
SG6, SG8	#43876020
SG10, SG12	#43876030
SG13, SG14, SG15	#43876040

18) REPLACING PARTS

At all times when parts are being replaced, ensure that both the gas and electrical supplies are disconnected. Various parts are available from the factory for replacement by a licensed service person. Refer to the exploded parts guide in Section 20 for all replacement parts.

19) INSTALLATION DATA

Date of Installation: _____ Number of Heaters in System: _____

Heater Serial Number: _____

Heater Model: **SG** _____

N=Natural Gas
L=Propane Gas

20) REPLACEMENT PARTS GUIDE

ITEM#	PART #	DESCRIPTION
1	30755040	Valve-WR 36J22-232-propane gas @ 10" WC
2	30755030	Valve-WR 36J22-2xx-natural gas @ 6" WC
3	30279000	Transformer AT120B1051
4	30632030	Spark Module, Fenwal #35-605950-015
5	30295020	Electrode PSE-GF9
6	30567070	Ignition Cable 7"
7	43856029	Burner Assembly Kit (Ignition Unit)
8		
9	43862010	Manifold for SG3, SG4
10	43862020	Manifold for SG6, SG8
11	43862030	Manifold for SG10, SG12
12	43862040	Manifold for SG13, SG14, SG15
13	43847010	Reflector for SG3, SG4
14	43847020	Reflector for SG6, SG8
15	43847030	Reflector for SG10, SG12
16	43847040	Reflector for SG13, SG14, SG15
17	43908010	Frame Assembly (1 Burner Unit)
18	4390802	Frame Assembly (2 Burner Unit)

ITEM#	PART #	DESCRIPTION
19	43908030	Frame Assembly (3 Burner Unit)
20	43908040	Frame Assembly (4 Burner Unit)
21	03548000	Junction Box, 2 x 4 x 1½
22	03606000	Cover Plate
23	43849000	Ignition Control Bracket
24	43872380	Orifice #38 for SG4, SG8, SG12, SG15 - Natural Gas
25	43872410	Orifice #41 for SG10, SG14 - Natural Gas
26	43872980	Orifice 3/32" for SG3, SG6 - Natural Gas
27	43872520	Orifice #52 for SG3, SG6, SG10, SG13- Propane Gas
28	43219020	Installation and Operation Manual (Not Shown)
29	42052030	Label - Connection Wire Diagram
30	42849020	Label - Nameplate
31	43247030	Label - Clearances to Combustibles
32	42875000	Label - General Warnings

IMPORTANT:

- Please order by Part Number, not by Item Number.
- Refer to complete Model Number when ordering.
- All replacement parts available when ordering.

Screws, nuts and washers are standard hardware items and can be purchased at any local hardware store.

ALL ILLUSTRATIONS ARE INTENDED TO GIVE THE GENERAL IMPRESSION OF UNITS ONLY. WE RESERVE THE RIGHT TO ALTER ANY SPECIFICATION WITHOUT NOTICE

